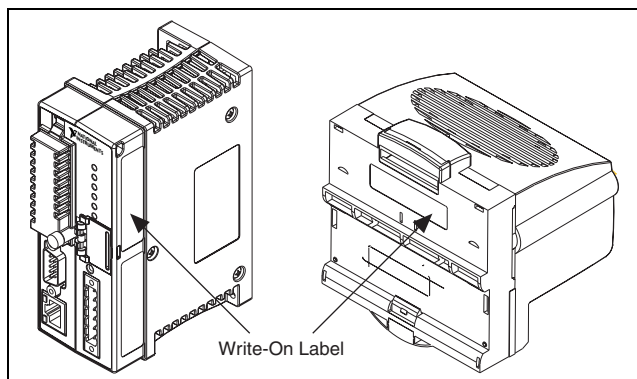


# RT Engine on FieldPoint™ Controller

The version of the RT engine installed on the controller must match the version of the LabVIEW Real-Time Module installed on the host computer. Refer to the write-on label on the controller for the version of the RT engine installed.



If you are using version 4.0 or later of the FieldPoint software, launch Measurement & Automation Explorer (MAX) and use the Software tab for the controller to upgrade or downgrade software. For information about upgrading, refer to the *Downloading Software to a Remote System* topic in the *MAX Remote Systems Help (Help»Help Topics»Remote Systems)*. For information about downgrading, refer to the *Installing and Upgrading Software on FieldPoint Ethernet Controllers* topic in the *MAX Help for FieldPoint (Help»Help Topics»FieldPoint)*.

If you are using FieldPoint Explorer version 3.0.2 or earlier, refer to the *FieldPoint Explorer Help* for information about upgrading or downgrading controller software.

---

FieldPoint™, LabVIEW™, National Instruments™, NI™, and ni.com™ are trademarks of National Instruments Corporation. Product and company names mentioned herein are trademarks or trade names of their respective companies. For patents covering National Instruments products, refer to the appropriate location: **Help»Patents** in your software, the `patents.txt` file on your CD, or `ni.com/patents`.